

Whisperline®

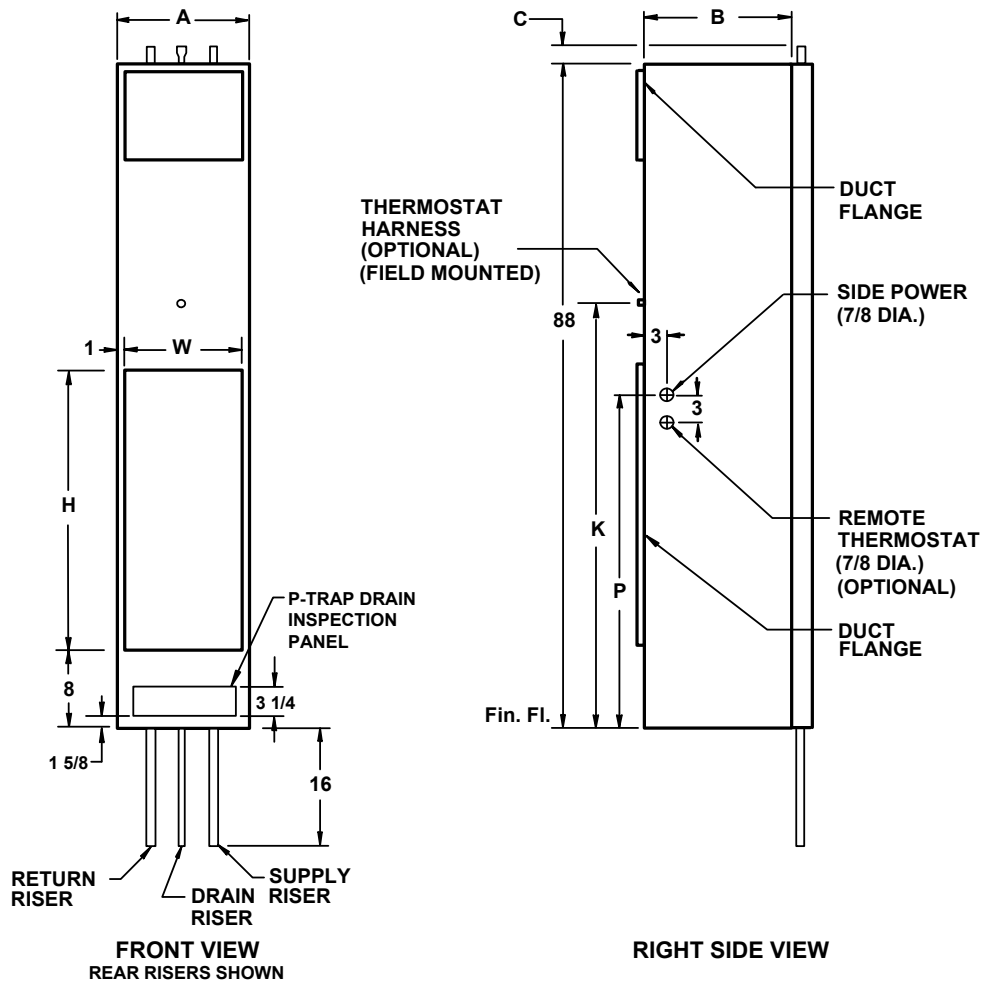
Cabinet Dimensions

| Model | A | B | W | H | K | P |
|----------|----|----|----|----|----|----|
| 0204-**C | 16 | 17 | 14 | 44 | 58 | 48 |
| 0304-**C | 16 | 17 | 14 | 44 | 58 | 48 |
| 0404-**C | 16 | 17 | 14 | 44 | 58 | 48 |
| 0504-**C | 18 | 20 | 16 | 44 | 58 | 48 |
| 0604-**C | 18 | 20 | 16 | 44 | 58 | 48 |
| 0804-**C | 18 | 20 | 16 | 44 | 58 | 48 |
| 0814-**C | 20 | 22 | 18 | 54 | 68 | 59 |
| 1004-**C | 20 | 22 | 18 | 54 | 68 | 59 |
| 1204-**C | 20 | 22 | 18 | 54 | 68 | 59 |

All dimensions in inches

| Riser Length | C |
|--------------|----|
| 9 Foot | 4 |
| 10 Foot | 16 |

Whisperline® Units with Internal Drain Rear Risers



P.O. Box 1390 • Easton, MD 21601 USA
 whalencompany.com

