



ULTRANIXX SERIES

24V UNIVERSAL INVERTER H/P CONDENSING UNIT

*Compatible with third party 24V Air Handler and 24V thermostat

| Item | Unit | Parameter |
|--|------------|---|
| Outdoor Model | — | KU36UHO |
| Indoor Model | — | KU24UH2I |
| System Ratings | | |
| Cooling Capacity | Btu/h | 24000 |
| Heating Capacity | Btu/h | 24000 |
| Power Supply | — | 208-230V, 1Ph, 50/60Hz |
| SEER | — | 20 |
| EER | Btu/(h·W) | 12.5 |
| HSPF | — | 10.5 |
| Gas Pipe | mm/inch | φ19/(3/4) |
| Liquid Pipe | mm/inch | φ9.52/(3/8) |
| Standard Pipe Length | m/ft | 7.5/24.6 |
| Max refrigerant pipe length between Indoor and Outdoor(m) | m/ft | 30/98.4 |
| Max vertical height difference between Indoor and Outdoor(m) | m/ft | 15/49.2 |
| Connection Method | — | Screw Connection(standard) Solder Connection(optional) |
| Refrigerant Type | — | R410A |
| Outdoor Unit Data | | |
| Sound Pressure Level | dB(A) | 55 |
| Minimum - Maximum Voltage | V | 187-253 |
| Control Voltage | V | 24 |
| Rated Current Cooling | A | 13 |
| Rated Current Heating | A | 17 |
| MCA | A | 24 |
| MOP | A | 35 |
| External Dimensions (H×W×D) | mm/inch | 820×940×460/32-1/4×37×18-1/8 |
| Net Weight | kg/lbs | 98.5/217.2 |
| Gross Weight | kg/lbs | 109/240.3 |
| Operation temperature for cooling | °C/°F | -15~54/(5~129.2) |
| Operation temperature for heating | °C/°F | -30~24/(-22~75.2) |
| Outdoor Fan Total Air Volume | m³/h /cfm | 5100/3000 |
| Outdoor Fan Motor FLA (A) | A | 1.5 |
| Compressor RLA | A | 16 |
| Refrigerant Charge | kg/lbs | 4.2/9.26 |
| Indoor Unit Data | | |
| Air flow volume | m³/h / CFM | 1630/960 |
| ESP (Range) | ln.w.g/Pa | 0.1/25(0/0~1/250) |
| Sound Pressure Level | dB(A) | 45 |
| Supplemental Electric Heat (Optional) | kW | 5/8/10 |
| Dehumidification | pt/hr | 3.06 |
| Minimum - Maximum Voltage | V | 187-253 |
| Control Voltage | V | 24 |
| Rated Current Cooling | A | 3.00 |
| Rated Current Heating | A | 3.00 |
| MCA | A | 4 |
| MOP | A | 15 |
| MCA / with electric heater | A | 5kW:27/30(208/240V) 8kW:40/46(208/240V) 10kW:49/56(208/240V) |
| MOP / with electric heater | A | 5kW:30/30(208/240V) 8kW:45/50(208/240V) 10kW:60/60(208/240V) |
| External Dimensions (H×W×D) | mm/inch | 1224×540×540/48-1/4×21-1/4×21-1/4 |
| Net Weight | kg/lbs | 71.0/156.5 |
| Gross Weight | kg/lbs | 77.0/169.8 |
| Operation temperature for cooling | °C/°F | 18~27/(64.4~80.6) |
| Operation temperature for heating | °C/°F | 20~27/(68.0~80.6) |
| Indoor Fan Motor Full Load Amps | A | 3 |
| Indoor Fan Motor Rated HP | HP | 1/2 |
| *Ultra Heat: strong heating at low ambient temperature. | | 100% Heating Capacity down to -5°F (-20°C) Stable running at -22°F (-30°C) |
| *Ultra Cool: strong cooling at high ambient temperature. | | 100% Cooling Capacity up to 115°F (46°C) Stable running at 129.2°F (54°C) |

Outdoor Model: KU36UHO



Indoor Model: KU24UH2I



Job Name:

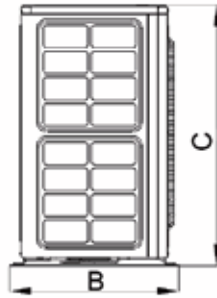
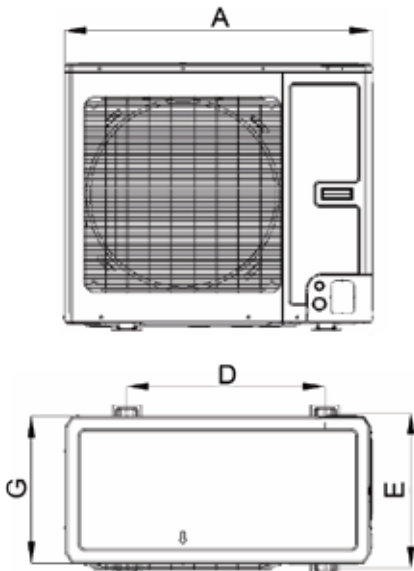
Schedule Reference:

Date:

Specification are subject to change without notice.



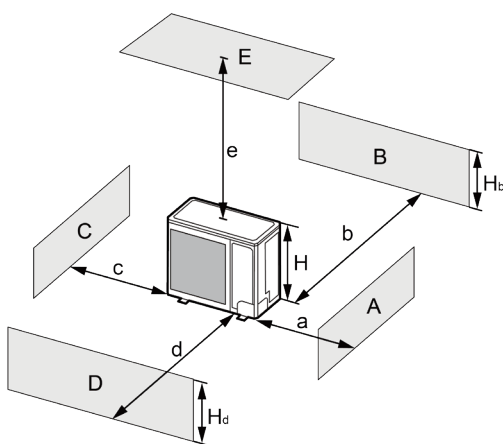
Outline and Physical Dimension of KU36UHO.



| Dimensions | A | B | C | D | E | G |
|------------|--------------|------------------|------------------|--------------|------------------|------------------|
| Model | | | | | | |
| KU36UHO | 37" (940) | 20-7/8" (530) | 32-1/4" (820) | 24" (610) | 19-1/8" (486) | 18-1/8" (460) |

Units: inch (mm)

When one outdoor unit is to be installed.

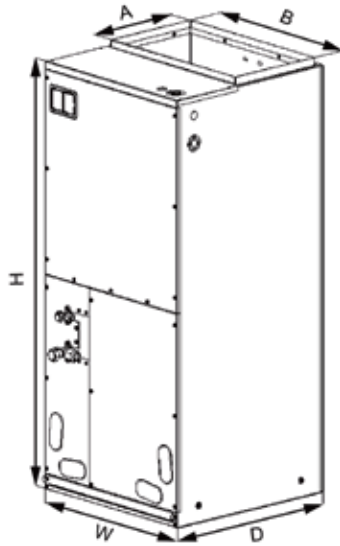


| A ~ E | H _b | H _d | H | inches (") millimeters (mm) | | | | |
|----------------------------|---------------------------------|----------------------------|------------|-------------------------------|------------------|------------------|--------------------|--------------------|
| | | | | a | b | c | d | e |
| B | | — | | | ≥ 3.94" 100mm | | | |
| A,B,C | | — | | ≥ 11.81" 300mm | ≥ 3.94" 100mm | ≥ 3.94" 100mm | | |
| B,E | | — | | | ≥ 3.94" 100mm | | | ≥ 39.37" 1000mm |
| A,B,C,E | | — | | ≥ 11.81" 300mm | ≥ 5.9" 150mm | ≥ 5.9" 150mm | | ≥ 39.37" 1000mm |
| D | | — | | | | | ≥ 39.37" 1000mm | |
| D,E | | — | | | | | ≥ 39.37" 1000mm | ≥ 39.37" 1000mm |
| B,D | H _b < H _d | H _d > H | | | ≥ 3.94" 100mm | | ≥ 39.37" 1000mm | |
| | H _b > H _d | H _d < H | | | ≥ 3.94" 100mm | | ≥ 39.37" 1000mm | |
| B,D,E | H _b < H _d | H _b ≤ 1/2 H | | | ≥ 9.84" 250mm | | ≥ 78.74" 2000mm | ≥ 39.37" 1000mm |
| | | 1/2 H < H _b ≤ H | | | ≥ 9.84" 250mm | | ≥ 78.74" 2000mm | ≥ 39.37" 1000mm |
| | | H _b > H | Prohibited | | | | | |
| | H _b > H _d | H _d ≤ 1/2 H | | | | ≥ 3.94" 100mm | | ≥ 78.74" 2000mm |
| 1/2 H < H _d ≤ H | | | | | ≥ 7.87" 200mm | | ≥ 78.74" 2000mm | ≥ 39.37" 1000mm |
| | | H _d > H | Prohibited | | | | | |



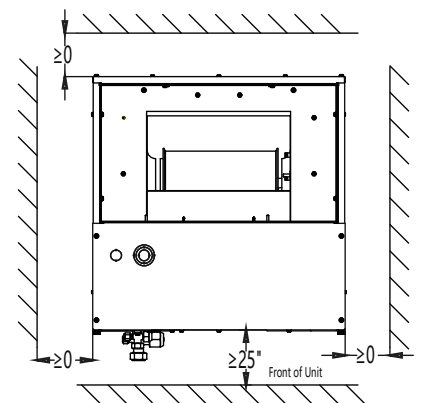
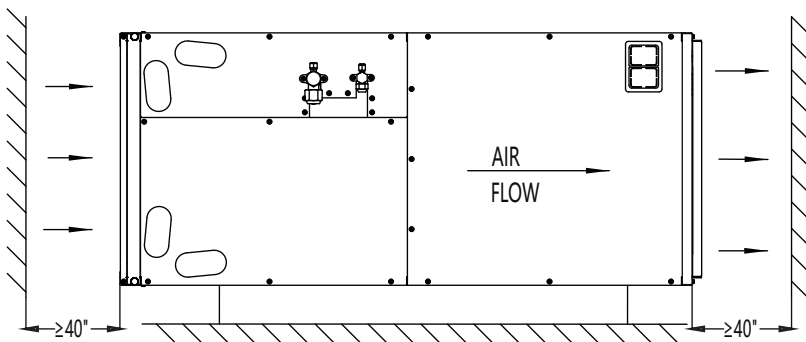


Outline and Physical Dimension of KU24UH2I.



Units: inch (mm)

| Model | Dimension | | | | |
|----------|-------------|-------------|--------------|-------------|---------|
| | W | D | H | A | B |
| KU24UH2I | 21-1/4(540) | 21-1/4(540) | 48-1/4(1224) | 11-5/8(295) | 20(508) |



Units: inch

